

KPH65-12N 12Volt 65Ah

Specifications

Nominal Voltage(V) **12V**

Nominal Capacity

10 hour rate	(6.5A to 10.80V)	65Ah
5 hour rate	(11.05A to 10.20V)	55.25Ah
1 hour rate	(39A to 9.60V)	39Ah
1 C	(65A to 9.60V)	41.17Ah

Weight **Approx. 21.5kg(47.3Lbs.)**

Internal Resistance (at 1KHz) **Approx. 7.5 mΩ**

Maximum Discharge Current for

5 seconds: **800A**

Charging Methods at 25°C (77°F)

Cycle use:

Charging Voltage **14.4 to 15.0V**

Coefficient **-5.0mv/°C/cell**

Maximum Charging Current : **19.5A**

Standby use:

Float Charging Voltage **13.50 to 13.80V**

Coefficient **-3.0mv/°C/cell**

Operating Temperature Range

Charge **-15°C (5°F) to 40°C (104°F)**

Discharge **-15°C (5°F) to 50°C (122°F)**

Storage **-15°C (5°F) to 40°C (104°F)**

Charge Retention (shelf life) at 20°C (68°F)

1 month **98%**

3 month **94%**

6 month **85%**

Case Material

ABS

(UL94-V0 flame retardant case / cover)

Terminal

F16

Description of torque value of hard ware for the terminals:

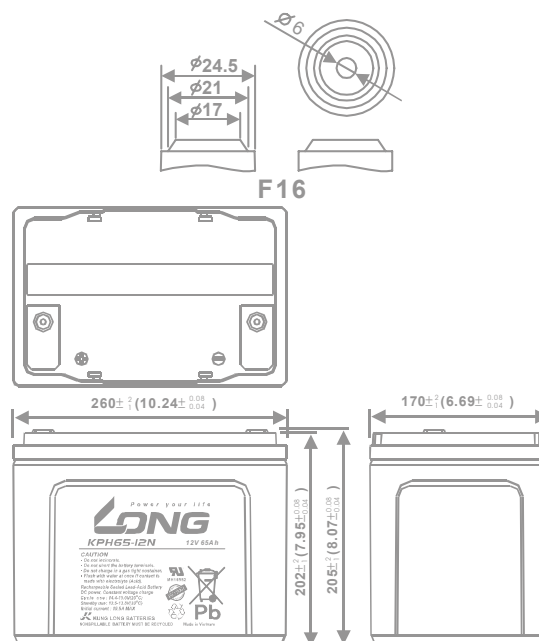
Recommended torque value **M6: 5.39 N-m (55kg-cm)**

Maximum allowable torque value **M6: 8.82 N-m (90kg-cm)**

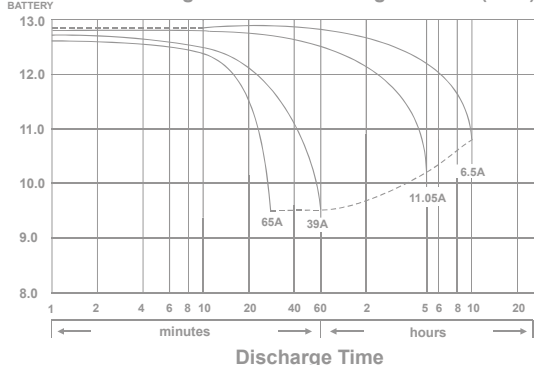


Dimensions

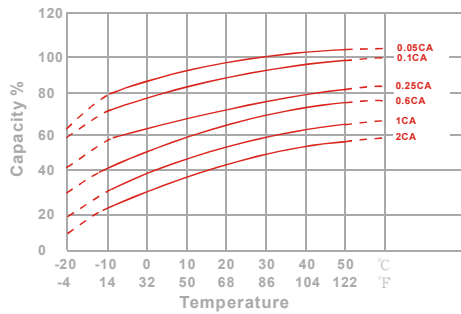
mm(inch)



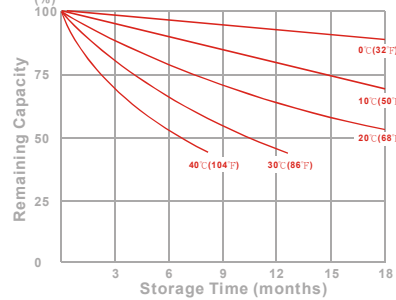
Discharge Time VS. Discharge Current (25°C)



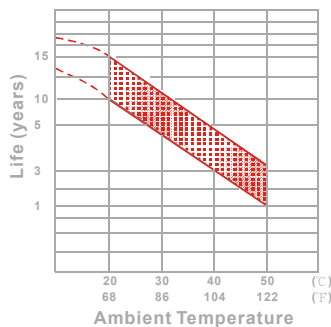
Effect of Temperature on Capacity 25°C(77°F)



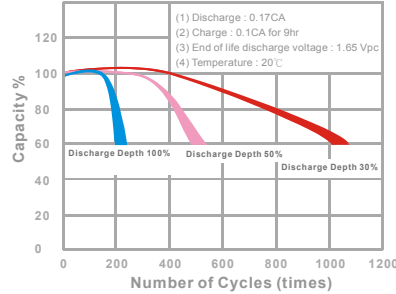
Capacity Retention Characteristic



Trickle (or float) Service Life



Cycle Service Life



All data on the spec. sheet is an average value:

The tolerance range : $X < 6\text{min}$ (+15%~-15%), $6\text{min} \leq X < 10\text{min}$ (+12%~-12%), $10\text{min} \leq X < 60\text{min}$ (+8%~-8%), $X \geq 60\text{min}$ (+5%~-5%)

- PERFORMANCE DATA

Discharge Rates in Watts to Various End Voltages at 25°C(77°F)

End Voltage		11.10V	10.80V	10.50V	10.20V	9.90V	9.60V
Time							
5	min	2076	2370	2555	2846	3027	3145
10	min	1332	1521	1640	1827	1943	2018
15	min	1061	1181	1272	1399	1477	1527
30	min	564	628	676	744	785	812
60	min	484	494	502	507	511	513
120	min	255	261	265	267	269	271
180	min	203	208	211	213	215	216
240	min	163	167	169	171	172	173
300	min	139	142	144	145	147	147
600	min	77.9	79.6	80.8	81.6	82.2	82.7
1200	min	41.0	41.9	42.5	43.0	43.3	43.5

- Discharge Rates in Amperes to Various End Voltages at 25°C(77°F)

End Voltage		11.10V	10.80V	10.50V	10.20V	9.90V	9.60V
Time							
5	min	185	212	228	254	270	281
10	min	116	132	143	159	169	175
15	min	90.3	101	108	119	126	130
30	min	47.4	52.8	56.8	62.5	66.0	68.2
60	min	40.5	41.4	42.0	42.4	42.8	43.0
120	min	21.3	21.7	22.1	22.3	22.4	22.6
180	min	16.9	17.2	17.5	17.7	17.8	17.9
240	min	13.5	13.8	14.0	14.1	14.3	14.3
300	min	11.5	11.7	11.9	12.0	12.1	12.2
600	min	6.41	6.55	6.65	6.72	6.77	6.80
1200	min	3.37	3.45	3.50	3.54	3.56	3.58

021211-1B