

## WP40-12 12Volt 40Ah

<b>Nominal Voltaj(V)</b>	12V	
<b>Nominal Kapasite</b>		
20 saat değeri	(2A - 10.50V)	40Ah
10 saat değeri	(3.8A - 10.50V)	38Ah
5 saat değeri	(6.8A - 10.20V)	34Ah
1 C	(40A - 9.60V)	22.67Ah
3 C	(120A - 9.60V)	16Ah

**Ağırlık** ~ 13.1kg(28.82Lbs.)

**Dahili Direnç(1KHz'de)** ~ 7 mΩ

### Maksimum Deşarj Akımı

5 saniye: 540A

### Şarj Yöntemi 25°C

Döngüsel Kullanım:

Şarj Voltajı 14.4 - 15.0V

Coefficient -5.0mv/°C/cell

Maksimum Şarj Akımı: 12A

Standby kullanım:

Float Şarj Voltajı 13.50 - 13.80V

Coefficient -3.0mv/°C/cell

### Çalışma Sıcaklık Aralığı

Şarj -15°C(5°F) - 40°C(104°F)

Deşarj -15°C(5°F) - 50°C(122°F)

Depolama -15°C(5°F) - 40°C(104°F)

Depolama Şarj Kaybı (Raf Ömrü) 20°C (68°F) de

1 ay 98%

3 ay 94%

6 ay 85%

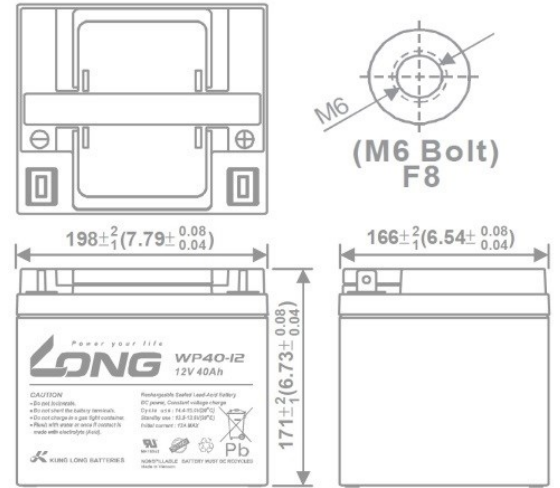
### Kasa Yapısı

ABS (Seçenek: UL94 HB & UL94 V-0 Alev Dayanımlı )

**Terminal** F8(M6 Bolt)



### Ölçüler mm(inch)



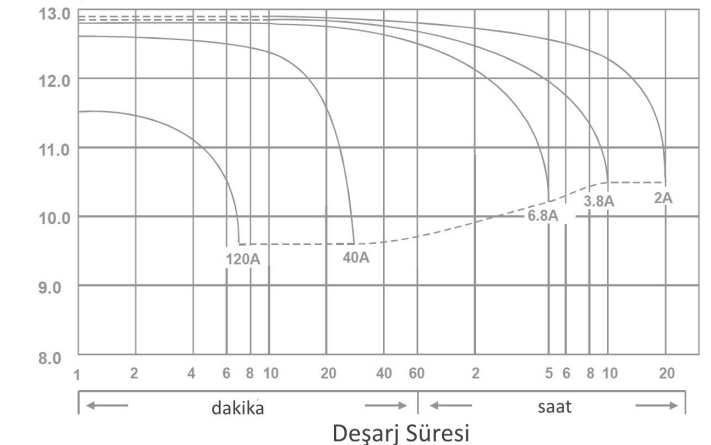
### Kasa Yapısı

ABS (Seçenek: UL94 HB & UL94 V-0 Alev Dayanımlı )

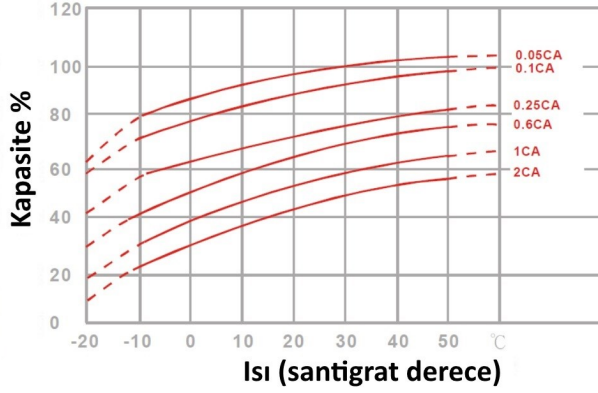
**Terminal** F8(M6 Bolt)



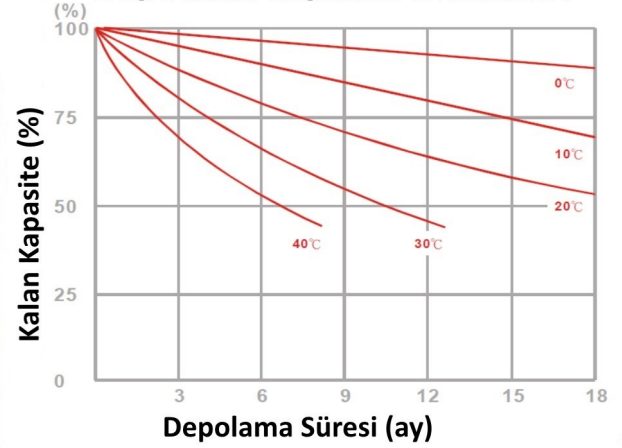
### Deşarj Süresi - Deşarj Akımı (25°C)



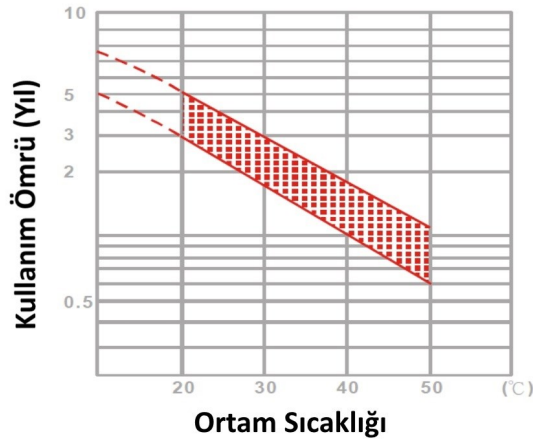
## Isının kapasiteye etkisi 25°C'de



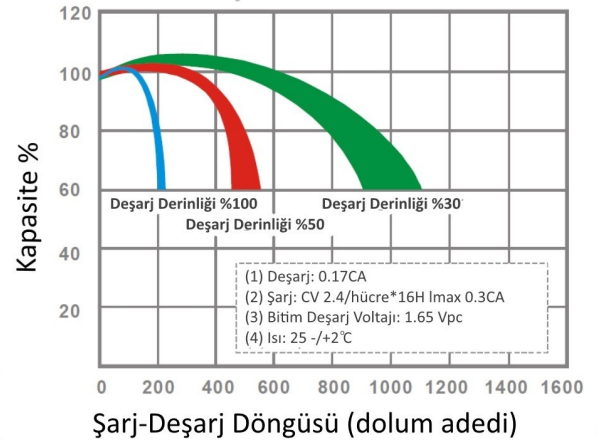
## Depolama Kapasite Özellikleri



## Float Sarjda Kullanım Ömrü



## Döngüsel Kullanım Ömrü



Zaman	1,85V	1,80V	1,75V	1,70V	1,67V	1,65V	1,60V
5DK	1337,0	1603,0	1795,0	1919,0	1951,0	19R7	2022,0
10DK	856,0	1029,0	1153,0	1232,0	1251,0	1275,0	1298,0
15DK	663,0	7R0	861,0	913,0	927,0	942,0	960,0
20DK	482,0	574,0	608,0	639,0	649,0	661,0	675,0
30DK	354,0	416,0	459,0	487,0	494,0	502,0	510,0
40DK	305,0	337,0	352,0	365,0	370,0	376,0	383,0
50DK	286,0	304,0	316,0	325,0	328,0	332,0	337,0
60DK	263,0	272,0	279,0	284,0	286,0	288,0	291,0
90DK	213,0	221,0	227,0	232,0	234,0	236,0	239,0
120DK	155,0	161,0	164,0	167,0	168,0	170,0	172,0