

## WP5-12 12Volt 5Ah

### Specifications

Nominal Voltage(V) **12V**

#### Nominal Capacity

20 hour rate	(0.25A to 10.50V)	<b>5Ah</b>
10 hour rate	(0.475A to 10.50V)	<b>4.75Ah</b>
5 hour rate	(0.85A to 10.20V)	<b>4.25Ah</b>
1 C	(5A to 9.60V)	<b>2.833Ah</b>
3 C	(15A to 9.60V)	<b>2.0Ah</b>

Weight **Approx. 1.9kg(4.18Lbs.)**

Internal Resistance (at 1KHz) **Approx. 19 mΩ**

#### Maximum Discharge Current for

5 seconds: **100A**

#### Charging Methods at 25°C (77°F)

Cycle use:

Charging Voltage **14.4 to 15.0V**

Coefficient **-5.0mV/°C/cell**

Maximum Charging Current : **1.5A**

Standby use:

Float Charging Voltage **13.50 to 13.80V**

Coefficient **-3.0mV/°C/cell**

#### Operating Temperature Range

Charge **-15°C (5°F) to 40°C (104°F)**

Discharge **-15°C (5°F) to 50°C (122°F)**

Storage **-15°C (5°F) to 40°C (104°F)**

#### Charge Retention (shelf life) at 20°C (68°F)

1 month	<b>98%</b>
3 month	<b>94%</b>
6 month	<b>85%</b>

Case Material **ABS**

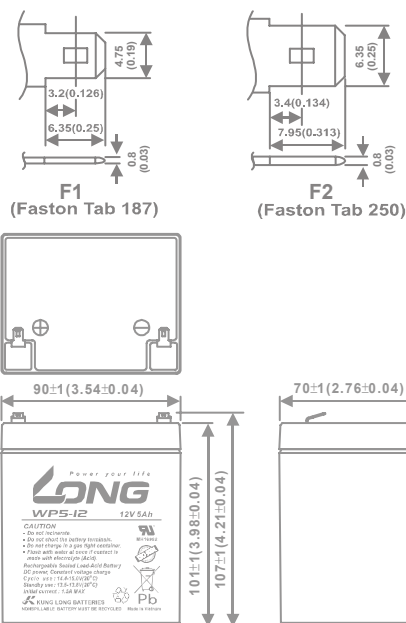
(Option: UL94 HB & UL94 V-0 flame retardant )

Terminal **F1 or F2 (Faston Tab 187 or 250)**

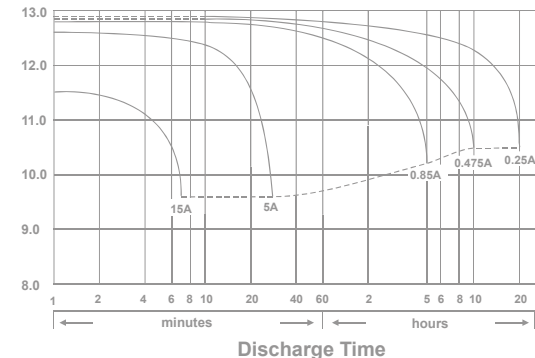


### Dimensions

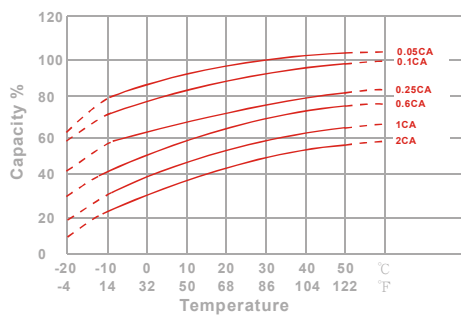
mm(inch)



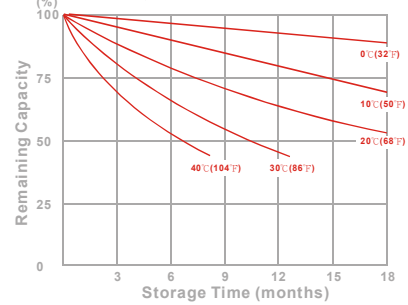
(V) FOR 12V BATTERY Discharge Time VS. Discharge Current (25°C)



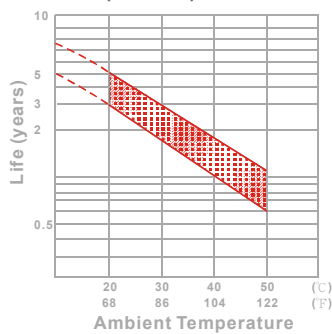
Effect of Temperature on Capacity 25°C(77°F)



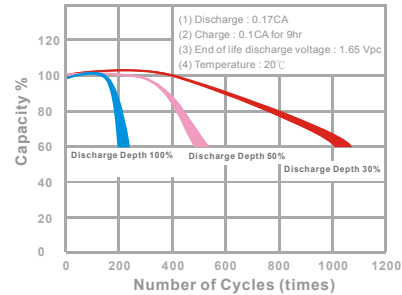
Capacity Retention Characteristic



Trickle (or float) Service Life



Cycle Service Life



## - PERFORMANCE DATA

### Discharge Rates in Watts to Various End Voltages at 25°C(77°F)

End Voltage		11.10V	10.80V	10.50V	10.20V	9.90V	9.60V
Time							
5	min	280	299	306	307	309	311
10	min	180	192	196	197	198	200
15	min	133	141	144	145	146	147
30	min	70.4	74.8	76.3	76.7	77.1	77.7
60	min	35.7	38.6	40.7	41.4	42.1	42.7
120	min	18.8	20.3	21.5	21.8	22.2	22.5
180	min	15.0	16.2	17.1	17.4	17.7	18.0
240	min	12.1	13.0	13.7	14.0	14.2	14.4
300	min	10.2	11.1	11.7	11.9	12.1	12.3
600	min	6.05	6.53	6.90	7.02	7.14	7.24
1200	min	3.18	3.43	3.62	3.68	3.75	3.80

### - Discharge Rates in Amperes to Various End Voltages at 25°C(77°F)

End Voltage		11.10V	10.80V	10.50V	10.20V	9.90V	9.60V
Time							
5	min	25.0	26.7	27.3	27.4	27.6	27.8
10	min	15.6	16.7	17.1	17.1	17.2	17.4
15	min	11.3	12.0	12.3	12.3	12.4	12.5
30	min	5.94	6.31	6.44	6.48	6.51	6.55
60	min	3.00	3.24	3.42	3.48	3.54	3.59
120	min	1.58	1.70	1.80	1.83	1.86	1.89
180	min	1.25	1.35	1.43	1.45	1.48	1.50
240	min	1.00	1.08	1.14	1.16	1.18	1.20
300	min	0.85	0.92	0.97	0.99	1.00	1.02
600	min	0.50	0.54	0.57	0.58	0.59	0.60
1200	min	0.26	0.28	0.30	0.30	0.31	0.31

All data on the spec. sheet is an average value:

The tolerance range :  $X < 6\text{min}$ (+15%~-15%),  $6\text{min} \leq X < 10\text{min}$ (+12%~-12%),  $10\text{min} \leq X < 60\text{min}$ (+8%~-8%),  $X \geq 60\text{min}$ (+5%~-5%)

030112-1A