

LGK12150 12Volt 150Ah

Specifications

Nominal Voltage(V) **12V**

Nominal Capacity

10 hour rate	(15A to 10.80V)	150Ah
5 hour rate	(25.5A to 10.20V)	127.5Ah
1 hour rate	(82.5A to 9.60V)	82.5Ah
1 C	(150A to 9.60V)	75Ah

Weight **Approx. 50kg(110Lbs.)**

Internal Resistance (at 1KHz) **Approx. 4.1 mΩ**

Maximum Discharge Current for 5 seconds: **1500A**

Charging Methods at 25 (77)

Cycle use:

Charging Voltage **13.8 to 14.4V**

Coefficient -5.0mv/ /cell

Maximum Charging Current : **45A**

Standby use:

Float Charging Voltage **13.5 to 13.8V**

Coefficient -3.0mv/ /cell

Operating Temperature Range

Charge **-15 (5) to 40 (104)**

Discharge **-15 (5) to 50 (122)**

Storage **-15 (5) to 40 (104)**

Charge Retention (shelf life) at 20 (68)

1 month **98%**

3 month **94%**

6 month **85%**

Case Material **ABS**

(UL94-V0 flame retardant case / cover)

Terminal **M8**

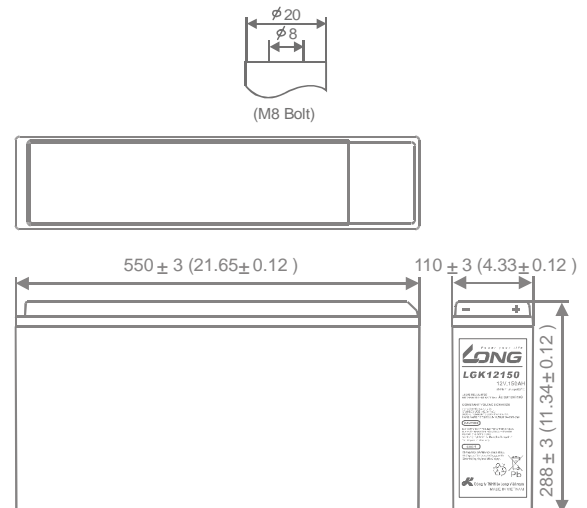
Description of torque value of hard ware for the terminals:

Recommended torque value **M8: 7.35 N-m (75kg-cm)**

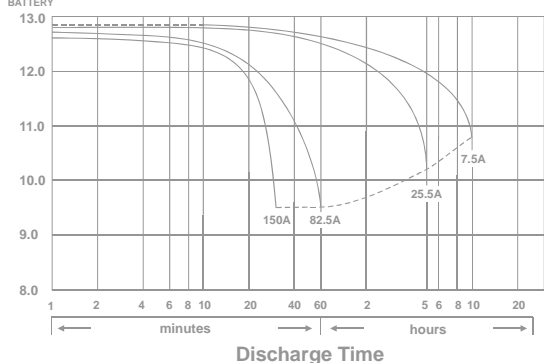
Maximum allowable torque value **M8: 9.8 N-m (100kg-cm)**



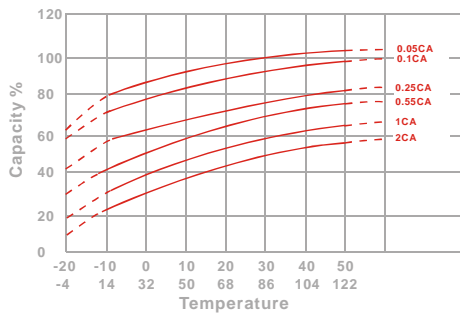
Dimensions mm(inch)



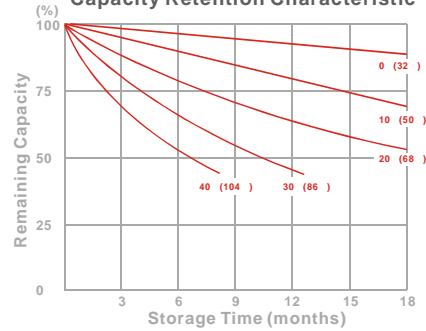
(V) FOR 12V BATTERY Discharge Time VS. Discharge Current (25)



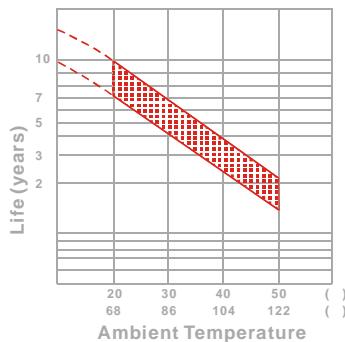
Effect of Temperature on Capacity 25 (77)



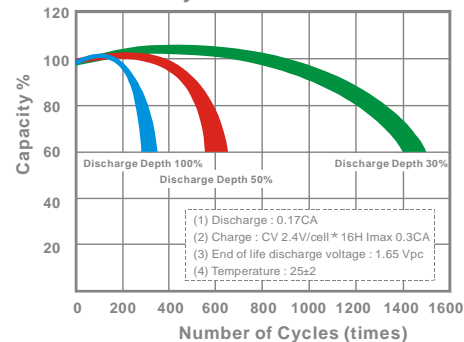
Capacity Retention Characteristic



Trickle (or float) Service Life



Cycle Service Life



- PERFORMANCE DATA

Discharge Rates in Watts to Various End Voltages at 25 (77)

End Voltage		1.85V	1.80V	1.75V	1.70V	1.67V	1.65V	1.60V
Time								
15	min	1571	2020	2327	2524	2582	2645	2712
30	min	1086	1353	1536	1654	1689	1726	1765
60	min	898	960	1001	1030	1035	1041	1048
120	min	530	559	575	588	593	598	604
180	min	421	443	459	471	475	480	485
240	min	345	362	373	382	385	389	393
300	min	293	308	319	326	328	331	334
480	min	201	207	216	222	224	226	228
600	min	166	177	181	184	185	186	187
1200	min	87.8	92.7	96.1	99.2	100	101	102

- Discharge Rates in Amperes to Various End Voltages at 25 (77)

End Voltage		1.85V	1.80V	1.75V	1.70V	1.67V	1.65V	1.60V
Time								
15	min	174	211	235	252	257	262	268
30	min	101	124	139	149	152	155	159
60	min	77.2	85.1	87.9	90.3	91.3	92.2	93.6
120	min	42.8	48.6	51.1	52.8	53.5	54.3	55.3
180	min	31.7	36.5	38.4	39.8	40.3	40.9	41.6
240	min	26.8	29.5	30.8	31.8	32.1	32.5	32.9
300	min	23.2	25.1	26.1	26.9	27.1	27.4	27.6
480	min	17.1	18.0	18.5	18.9	19.0	19.2	19.3
600	min	14.3	15.0	15.4	15.7	15.8	15.9	16.0
1200	min	7.66	7.98	8.12	8.21	8.24	8.28	8.33

All data on the spec. sheet is an average value:

The tolerance range : X<6min(+15%~-15%), 6min X<10min(+12%~-12%), 10min X < 60min(+8% ~-8%), X 60min(+5%~-5%)

070414-1C