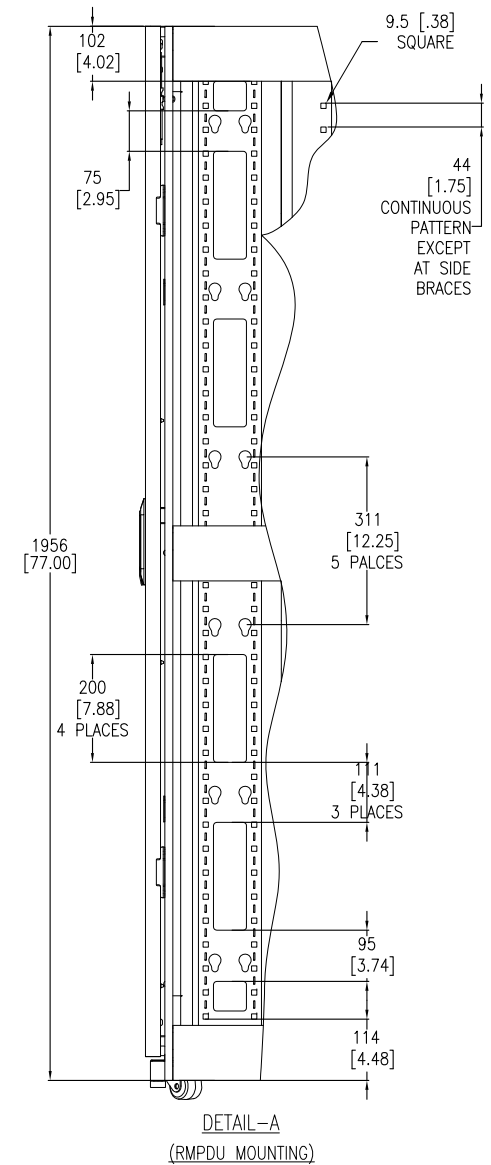


NOTES:

1. INSTALLATION MUST COMPLY WITH NATIONAL AND LOCAL ELECTRICAL REGULATIONS.
2. PLEASE REFER TO THE PRODUCT MANUALS FOR DETAILED INFORMATION.
3. ALL DIMENSIONS ARE IN MILLIMETERS [INCHES].
4. NET WEIGHT OF UNIT IS 125.09 Kg [275.2 LBS].
5. CABLE ENTRY IS TOP OR BOTTOM OF UNIT.
6. FRONT AND REAR SERVICE ACCESS REQUIRED.
7. AIR FLOW AND SERVICE REQUIREMENTS, AS WELL AS MINIMUM CLEARANCE TO FIRE SUPPRESSION SYSTEMS SHOULD BE CONSIDERED WHEN LOCATING THE ENCLOSURE.



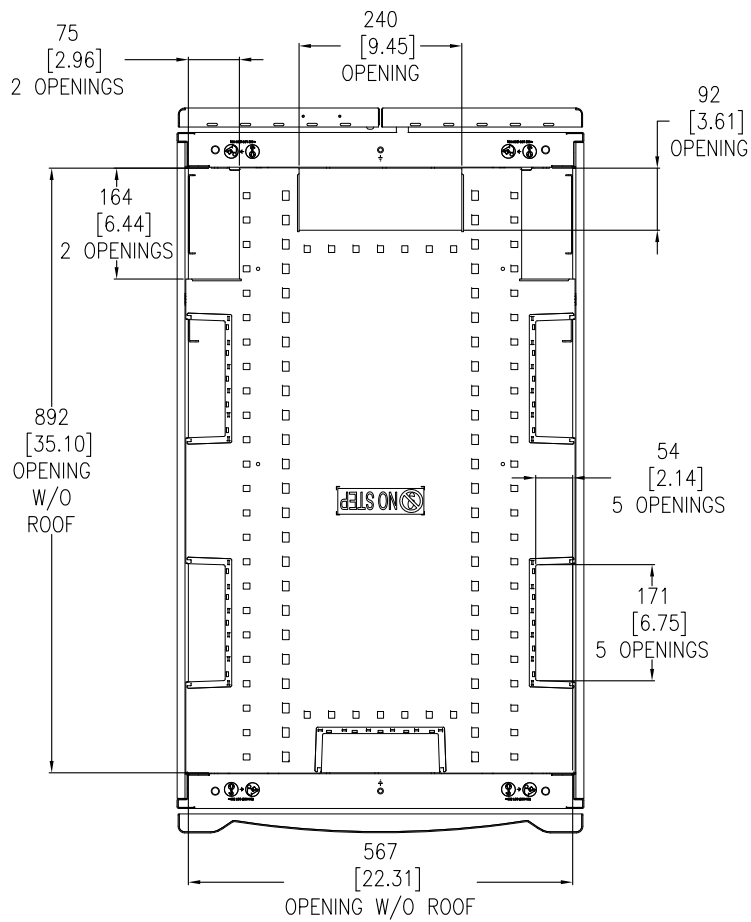
THIS DRAWING AND SPECIFICATIONS HEREIN ARE THE PROPERTY OF SCHNEIDER ELECTRIC AND SHALL NOT BE COPIED, REPRODUCED OR USED IN WHOLE OR IN PART, AS THE BASIS FOR THE MANUFACTURE OR SALE OF ITEMS WITHOUT WRITTEN PERMISSION FROM SCHNEIDER ELECTRIC. THIS DRAWING IS BASED UPON LATEST AVAILABLE INFORMATION AND IS SUBJECT TO CHANGE WITHOUT NOTICE.



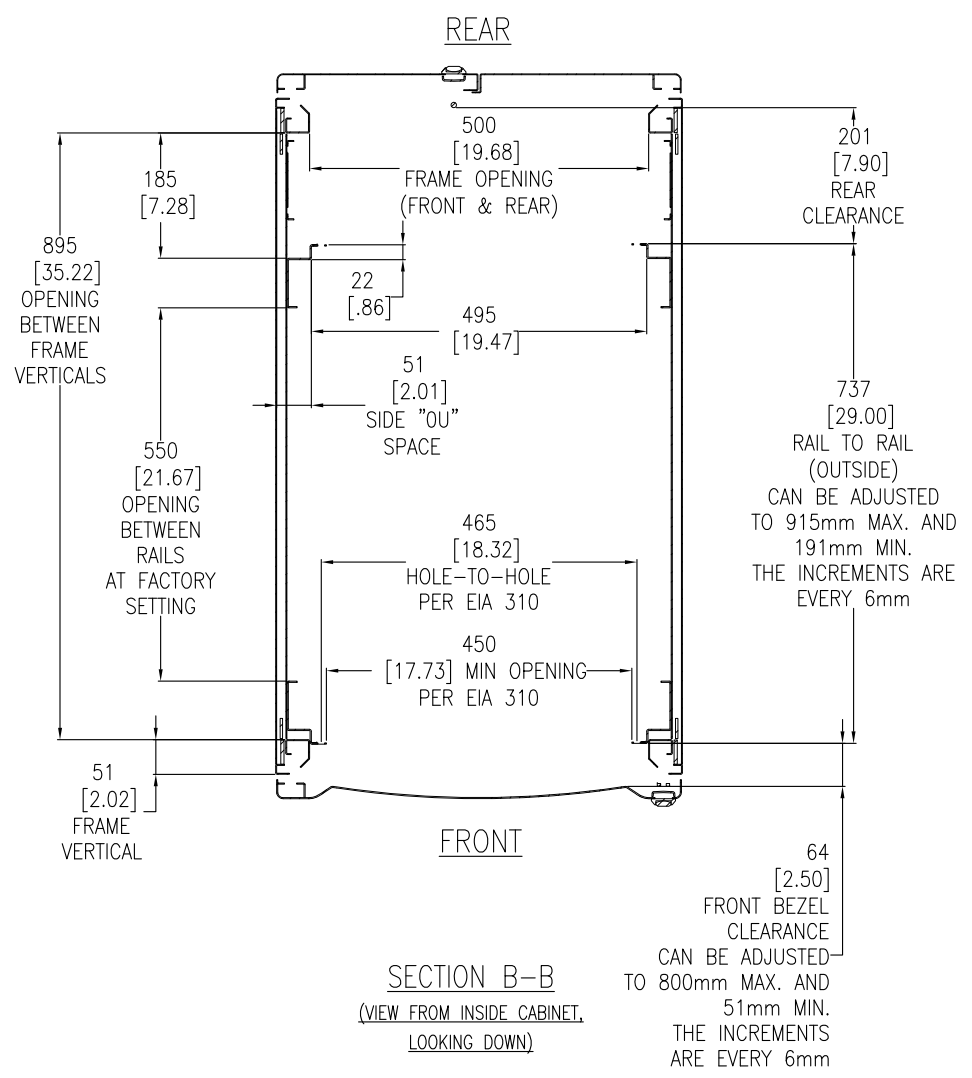
TITLE: NetShelter SX 42U ENCLOSURE WITH SIDES 600mm WIDE x 1070mm DEEP MAIN MECHANICAL

PROJECT: SUBMITTAL DRAWINGS SHEET 1 OF 3

DWG NO:	AR3100		REV:	2
DRAWN BY:	B ZAHN	16-JUL-09	FIRST	
ENGINEER:	K THOMAS	16-JUL-09	ANGLE	
APPROVED BY:	SHERMAN / DOWD / C. URGEN'S WEA	16-JUL-09	PROJECTION	



TOP VIEW
CABLE OPENINGS
(COVERS REMOVED)



SECTION B-B
(VIEW FROM INSIDE CABINET,
LOOKING DOWN)

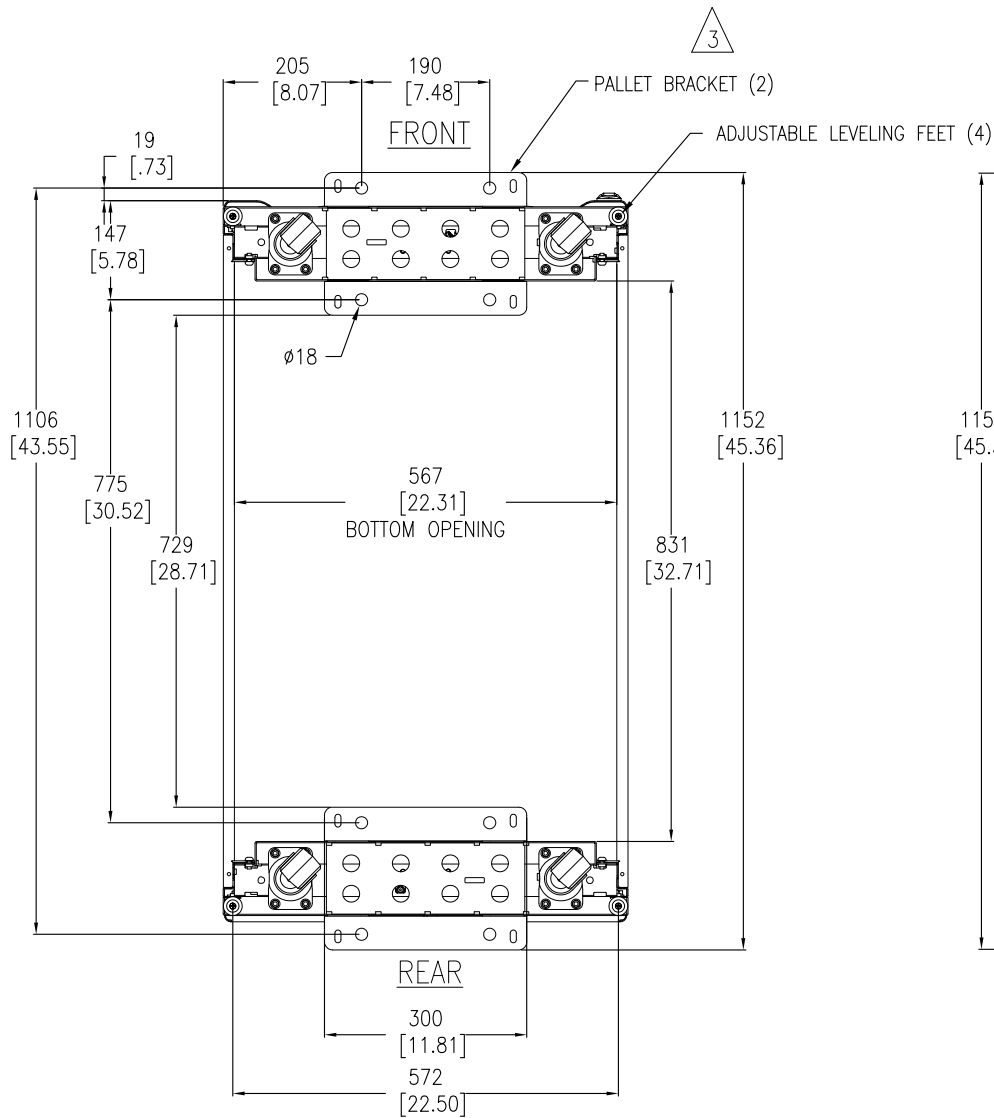
- NOTES:**
1. INSTALLATION MUST COMPLY WITH ALL APPLICABLE NATIONAL AND LOCAL CODES.
 2. ALL DIMENSIONS ARE MILLIMETERS [INCHES].

THIS DRAWING AND SPECIFICATIONS HEREIN ARE THE PROPERTY OF SCHNEIDER ELECTRIC AND SHALL NOT BE COPIED, REPRODUCED OR USED IN WHOLE OR IN PART, AS THE BASIS FOR THE MANUFACTURE OR SALE OF ITEMS WITHOUT WRITTEN PERMISSION FROM SCHNEIDER ELECTRIC. THIS DRAWING IS BASED UPON LATEST AVAILABLE INFORMATION AND IS SUBJECT TO CHANGE WITHOUT NOTICE.

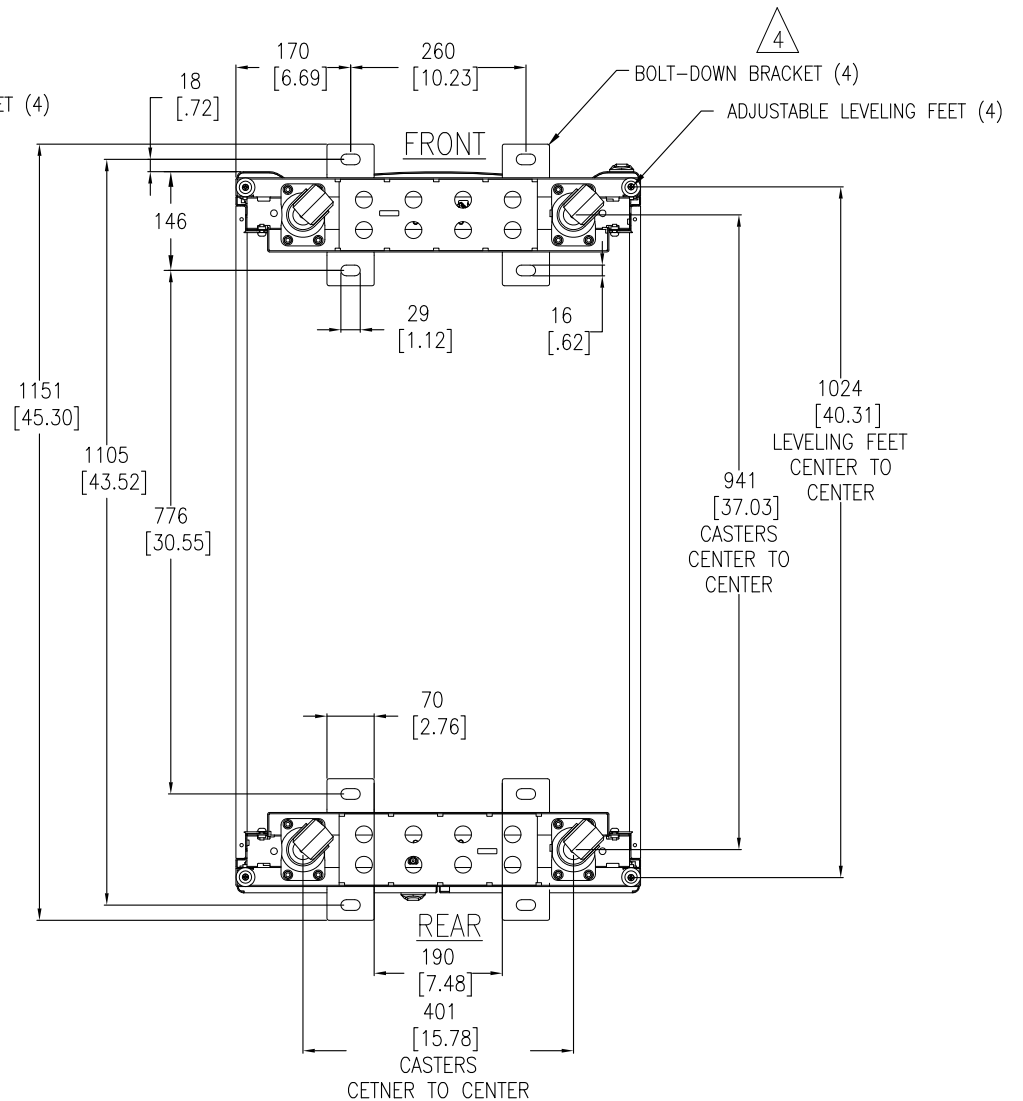


TITLE: NetShelter SX 42U ENCLOSURE WITH SIDES 600mm WIDE x 1070mm DEEP TOP VIEWS
PROJECT: SUBMITTAL DRAWINGS SHEET 2 OF 3

DWG NO:	AR3100	REV:	3
DRAWN BY:	B ZAHN	16-JUL-09	FIRST ANGLE PROJECTION
ENGINEER:	K THOMAS	16-JUL-09	
APPROVED BY:	SHERWIN F. DODD / C. LARSEN'S MARK	16-JUL-09	



BOTTOM VIEW
(WITH PALLET BRACKETS
(CAN BE USED FOR ANCHORING))



BOTTOM VIEW
(WITH OPTIONAL BOLT-DOWN BRACKETS
FOR ANCHORING)

NOTES:

1. INSTALLATION MUST COMPLY WITH ALL APPLICABLE NATIONAL AND LOCAL CODES.
2. ALL DIMENSIONS ARE MILLIMETERS [INCHES].
- △3. ANCHORING CAN BE INSTALLED EITHER INSIDE OR OUTSIDE THE NetShelter WITH ONE AT FRONT AND ONE IN BACK.
- △4. BOLT-DOWN KIT (SKU# AR7701) IS OPTIONAL AND HAS TO BE ORDERED SEPARATELY.

THIS DRAWING AND SPECIFICATIONS HEREIN ARE THE PROPERTY OF SCHNEIDER ELECTRIC AND SHALL NOT BE COPIED, REPRODUCED OR USED IN WHOLE OR IN PART, AS THE BASIS FOR THE MANUFACTURE OR SALE OF ITEMS WITHOUT WRITTEN PERMISSION FROM SCHNEIDER ELECTRIC. THIS DRAWING IS BASED UPON LATEST AVAILABLE INFORMATION AND IS SUBJECT TO CHANGE WITHOUT NOTICE.



TITLE: NetShelter SX 42U
ENCLOSURE WITH SIDES
600mm WIDE x 1070mm DEEP
BOTTOM VIEWS

PROJECT: SUBMITTAL DRAWINGS SHEET 3 OF 3

DWG NO:	AR3100	REV.	4
DRAWN BY:	B ZAHN/S CUNHA	DATE:	30-NOV-12
ENGINEER:	K THOMAS	DATE:	16-JUL-09
APPROVED BY:	SHERWIN F. DICK / C. LARSEN'S MARK	DATE:	16-JUL-09
			PROJECTION