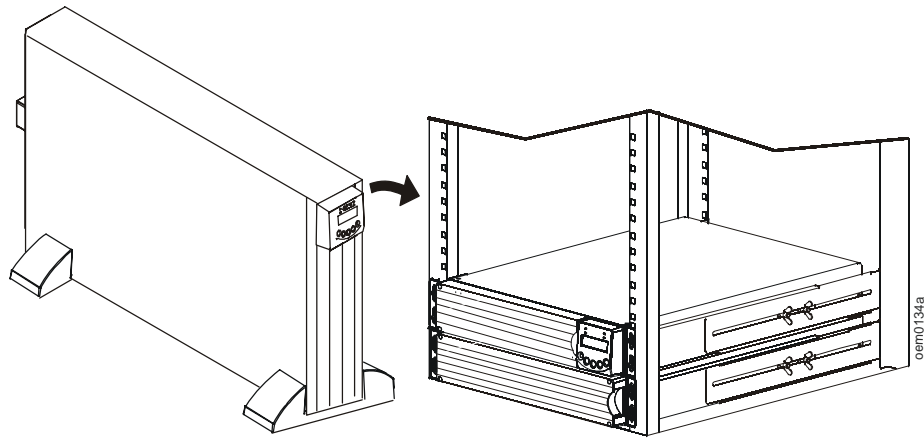


Overview



Inventory

4	
8	
8	
2	
1	
1	

